


HÄFELE

User Manual Model : HH-REF124



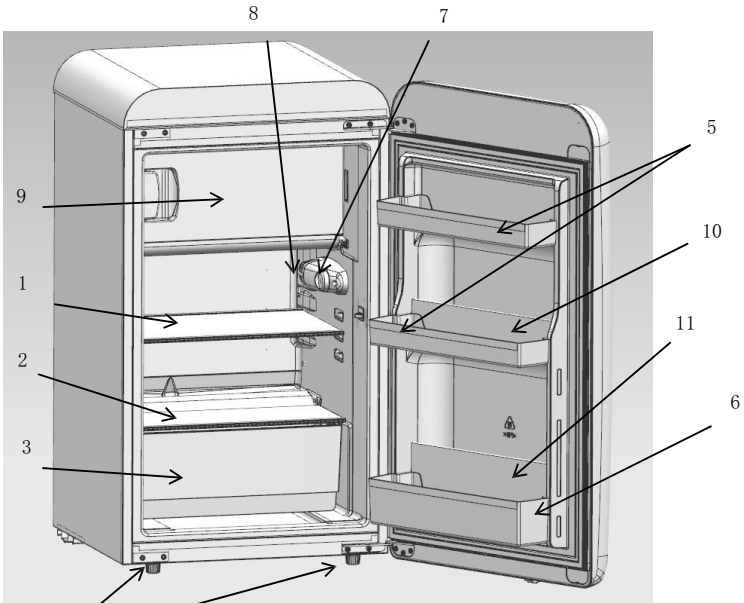
**BEFORE USE, PLEASE READ AND FOLLOW ALL SAFETY RULES AND
OPERATING INSTRUCTIONS.**

SAFETY TIPS

1. **WARNING:** Keep ventilation openings in the appliance interior or in the built-in aperture clear of obstruction.
2. **WARNING -** Do not use mechanical devices or other means to accelerate the defrosting process, other than those recommended by the manufacturer.
3. **WARNING -** Do not damage the refrigerant circuit.
4. **WARNING -** Do not use electrical appliances inside the food storage compartments of the appliance, unless they are of the type recommended by the manufacturer.
5. Do not store explosive substances such as aerosol cans with a flammable propellant in this appliance.
6. The appliance has to be unplugged after use and before carrying out user maintenance on the appliance.
7. This appliance is not intended for use by persons (including children) with reduced physical, sensory or mental capabilities, or lack of experience and knowledge, unless they have been given supervision or instruction concerning use of the appliance by a person responsible for their safety.
8. Children should be supervised to ensure that they do not play with the appliance.
9. Cleaning and user maintenance must not be undertaken by children.
10. If the supply cable is damaged, it must be replaced by the manufacturer, its service agent or a qualified electrician, in order to avoid a hazard.
11. This appliance is intended to be used in household and similar applications such as
 - staff kitchen areas in shops, offices and other non-commercial working environments;
 - farm houses and by clients in hotels, motels and other residential type environments;
 - bed and breakfast type environments;
 - catering and similar non-retail applications.
12. Please dispose of the refrigerator at the end of its life according to local regulations, as it has flammable blowing gas and flammable refrigerant.
13. Before you scrap the appliance, please remove the doors to prevent children from being trapped inside.
14. Correct Disposal of The Product 

This marking indicates that this product should not be disposed with other household wastes within the EU. To prevent possible harm to the environment or human health from uncontrolled waste disposal, recycle it responsibly to promote the sustainable re-use of material resources. Please consult your local authority regulations for the best way to dispose of this product.

PARTS & FEATURES



- 1 Glass Shelves-Top
- 2 Glass Shelf-Bottom
- 3 Crisper
- 4 Leveling legs
- 5 Bottle holders-Top
- 6 Bottle holder-Bottom
- 7 Temperature Control Knob
- 8 LAMP
- 9 Freezer compartment
- 10 Bottle holder shelf-top
- 11 Bottle holder shelf-bottom

Before Using Your REFRIGERATOR

Remove the exterior and interior packing.

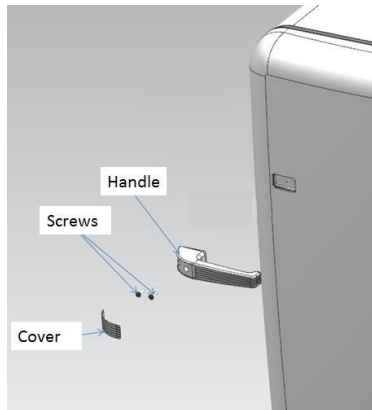
Before connecting the refrigerator to the power source, let it stand upright for approximately 2 hours. This will reduce the possibility of a malfunction in the cooling system from handling during transportation.

Check to be sure you have all of the following parts:

- 3 Bottle holders
- 2 Glass Shelves
- 1 Crisper
- 1 Instruction Manual
- 2 Bottle holder shelf

Clean the interior surface with lukewarm water using a soft cloth.

We can use screws to fix the handle to the door, and then put the cover on the handle of the pits.



SPACE REQUIREMENTS

WARNING: KEEP flammable materials and vapors, such as gasoline, away from refrigerator

Failure to do so can result in death, explosion, fire or burns.

To ensure proper ventilation for your refrigerator, allow for 200mm space on each side between walls 200mm space between back of your refrigerator and the wall, and 300mm space between counter top and the top of the appliance.

If you are installing your refrigerator next to a fixed wall, leave sufficient space on the hinge side to allow for the door to swing open

Never install your refrigerator near a heat source or in direct sunlight.

ELECTRICAL REQUIREMENT

WARNING: DO NOT REMOVE EARTH

CABLE DO NOT USE AN

ADAPTOR

DO NOT USE EXTENSION CORD

Failure to follow these instructions can result in death, fire or electrical shock.

Before you move your refrigerator into its final location, it is important to make sure you have the proper electrical connection

Recommended Earthing Method

A 220~240 Volt/50 Hz AC only 10 ampere fused and properly earthed electrical supply is required .it is recommended that a separate circuit serving only this appliance be provided .Use a socket which ideally cannot be turned off with a switch or pull chain ,Do not use an extension cord

NOTE: Before performing any type of installation, disconnect the refrigerator from the electrical source. When you are finished, connect the refrigerator to the electrical source and reset the control to the desired setting.

LEVELING

If the refrigerator is not leveled during installation .The doors may not close or seal properly, whichcausing cooling, frost or moisture problems. It is very important for the refrigerator to be leveled in order to function properly

To level your refrigerator you may either turn the level leg clockwise to raise that side of the refrigerator or turn counter-clockwise to lower that side.

USE OF THE APPLIANCE

Your unit has only one control for regulating the temperature in the compartment. The temperature control is located on the upper right hand side of the compartment.

The first time you turn the unit on, set the temperature control to "6".

The range of the temperature control is from position "OFF" to "6". After 24 to 48 hours, adjust the temperature control to the setting that best suits your needs. The setting of "4" should be appropriate for home or office use.

To turn the appliance off, turn the temperature control to"OFF".

NOTE:

Turning the temperature control to "OFF" position stops the cooling cycle but does not shut off the power to the unit.

If the unit is unplugged, has lost power, or is turned off, you must wait 3 to 5 minutes before restarting the unit. If you attempt to restart before this time delay, the unit will not start.

PROLONGED OFF PERIODS

If the refrigerator is not used for a long period of time,proceed as follows:

Disconnect the refrigerator from the main supply by removing the plug from the wall socket

Clean and dry the inside as instructed under the heading of Before Using Your Refrigerator

Leave the door open to prevent any unpleasant smells from building up while the refrigerator is not in use.

Troubleshooting

In case of malfunction, you can solve many common problems easily.

Your Refrigerator will not operate...Check if

--The power supply cord is unplugged.

--The thermostat knob is set to OFF position

The light doesn't work...Check if

- The power supply cord is unplugged.
- A household fuse or circuit breaker has tripped.
- A light bulb is loose in the socket.
- A light bulb has burned out.

Food in the refrigerator compartment freezing... Check if

- The thermostat knob is set too cold
- The position of food stored touches the refrigerator back wall.

Food in the refrigerator compartment is not cold...Check if

- The door is opened too often or not closed properly.
- A large amount of food has just been added to the refrigerator or refrigerator compartment.
- The position of the thermostat knob is adjusted too low.

Melted frost leak inside compartment or on floor...Check if

- The drain pipe is blocked.
- Water tray is in the correct place

The refrigerator seems to make unusual noise...Check if

- The refrigerator is leveled on the floor.
- The cabinet of the refrigerator touches the wall.
- The water tray is in the correct place.

There is interior moisture build-up ...Check if

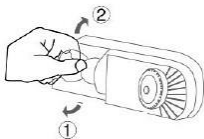
- The air vents are blocked in the refrigerator.
- The door is opened too often
- The room is humid.
- The food is not packaged correctly
- The control is not set correctly according to the surrounding conditions.

The doors will not close completely ...Check if

- The shelves are out of position
- The gaskets are dirty
- The fridge is not level

Replacing the lamp

- 1 Pull out the plug, cutting off the power supply.
- 2 According to figure 1 instruction, remove the lamp cover.
- 3 According to figure 2 instruction, rotation can remove the light bulb, then turn in the opposite direction to fit the new light bulb.
- 4 Replace cover, connect power supply.

**NOTE:**

Do not use a bulb with wattage greater than 15W

Technical Data

Model	Capacity (Liters)	Defrost	Votage / Hz	Product Dimension W X D X H (MM)	Net Weight (Kgs.)
HH-REF124	124	Manual	220V/50Hz	545 x 615 x 960	36

Distribution by **HÄFELE (Thailand) Limited**

No: 57 Soi Sukhumvit 64 • Sukhumvit Rd • Phrakonong Tai • Phrakonong • Bangkok • Thailand 10260

Phone +66 (0) 2741 7171

<http://www.hafele.co.th>