

Wine Cabinet

Instruction Manual

Thanks for choosing our product, please read this manual carefully before using it. This instruction manual is the universal-purpose version for the models of wine cabinet manufactured by our Co. The appearance of the units that you purchase might be slightly different from the ones described in the manual, but it does not affect your proper operations and usage. Please read carefully the sections corresponding to the specific model you choose, and keep the manual properly so as to facilitate your reference at later time.

■ MODEL:

JC-103-A22	JC-188-A22	JC-270-A22
JC-103-A23	JC-188-A23	JC-270-A23
JC-103-A24	JC-188-A24	JC-270-A24

**C
O
N
T
E
N
T
S**

Note----- 1

Your wine cabinet -----2

Installing your wine cabinet----- 3

Putting into service- Temperature settings -----5

Layout and storage ----- 7

Routine maintenance -----9

Operating problems -----10

NOTE



Note

1. The parameter is subject to change without prior notice, the final data and circuit diagram is on rating label. Please pay attention to latest data.
2. It's common that there are drips on the glass door when humidity in the air is high or the temperature different largely between inside of the cabinet and the environment temperature. Rub it clear with dry soft cloth will be OK.
3. The film attached to the unit is to avoid scull and you can take it down if you do not like it.
4. It is normal to frost on the inter-backside of the cabinet. The frost will melt naturally when the cabinet stops working.
5. If the appliance is broken and not be used for ever, don't throw it freely, send it to the recycle bin.

1-IMPORTANT SAFETY INSTRUCTIONS

You must always observe some basic precautions when using your wine cabinet, including:

Only use your wine cabinet for the use intended, as described in this guide.

Never unplug the wine cabinet by pulling on the power cord, Grip the plug firmly and pull straight out to remove from wall socket.

Immediately repair or replace any worn or damaged cord, Never use a cord that is split or which shows signs of wear along its length or on its ends.

Do not allow children to climb on, sit on or stand on the wine cabinet, nor hang from its shelves, They could damage the wine cabinet and injure themselves seriously.

Do not use an extension cord.



DANGER

Risk of child entrapment. Before you throw away your old refrigerator or freezer:

1. Take off the doors
2. Leave the shelves in place so that children may not easily climb inside.

If the supply cord is damaged, it must be replaced by the manufacturer, its service agent or similarly qualified persons in order to avoid a hazard.

2-CONNECTING TO MAINS SUPPLY

The wine cabinet's power cord is equipped with a plug which fits into any standard socket with earth connection, to prevent any risk of shock, Have the mains socket checked by a qualified electrician to make sure it is actually connected to earth.

If this is not the case, you must have it replaced with a socket which is suitably earthed.

If the power cord is damaged, have it replaced by a qualified electrician to prevent any risk.

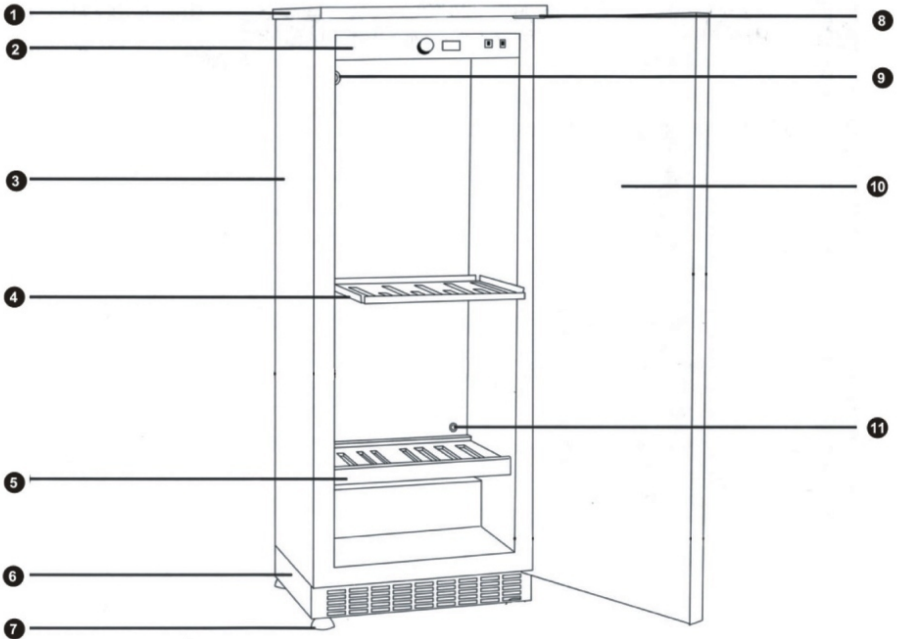
If the wall socket is not equipped with an earth connection, it is your responsibility and your duty to have it replaced with a suitably earthed wall socket, if the plug does not match your socket, you may have another fitted.



Note

1. For your safety, wine cabinet must be correctly earthed
2. New electrical cables and plugs should be fitted by a qualified electrician.

YOUR WINE CABINET



- ① Removable Plate
- ② Control Panel and Temperature Settings
- ③ Cabinet
- ④ Sliding shelf
- ⑤ Storage shelf
- ⑥ Front Ventilation Base
- ⑦ 4 Adjustable Feet
- ⑧ Hinge
- ⑨ Activated Charcoal Filter
- ⑩ Door
- ⑪ Free Ventilation Hole

INSTALLING YOUR WINE CABINET

-When you receive your cabinet, make sure when you unpack it there is no defect in its external appearance (from shocks, deformation, etc.).

-Open the door and check to see that the inside is complete (walls, shelves, hinges, control panel, etc.)

-If you wish to install your cabinet under a worktop, you will need to remove the top plate which is fixed from underneath by two front screws in the hinges and two screws behind in the angle brackets. Keep the two front screws if you wish to encase the unit under a worktop so as to fix it to the existing worktop (see diagrams page 4)

-Now carry the cabinet to where you want to install it. Make sure the place selected is:

-away from any source of heat

-not too damp (laundry room, utility room, bathroom, etc.)

-on a stable level surface

-equipped with a power point (standard socket, rated voltage, 16A, connected to earth)

-Make sure the On/Off switch located on the right of the control panel is in the off position.

-Take out the mains lead and connect it as shown in section 3. Check the power point supply (fuses in, fuse amperage, circuit breaker working. You can if you wish use another appliance to check the power supply.)

-Adjust the four feet underneath the cabinet (screwing them up or unscrewing them) so that your cabinet is level (it is advisable to use a spirit level).

-Slide the cabinet into its final position, leaving a space of between 2 and 6 cm between the wall and the rear wall of the cabinet, for installation under a worktop (Model 103), fix the cabinet to the worktop using two screws in the top hinges (see diagram below).

-Do not obstruct the front ventilation grille.

-Make a ventilation hole (flush-mounted grille) in the worktop (see diagram 4 below)

-Remove the protective materials from the inside of the cabinet.

-Remove the protective paper from the charcoal filter that you will find in the accessories pack. From inside the cabinet, position the filter in the round box located in the top back of the cabinet.

-Arrange the shelves to suit your convenience (see section 6.)

-Wait 48 hours before switching the cabinet on so as to allow the fluids to settle.

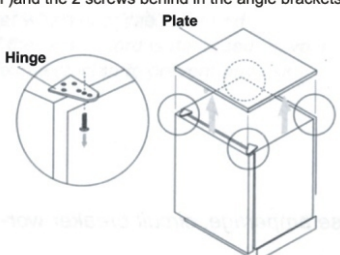
NB: If ever you need to move the cabinet, do not tilt it at an angle of more than 45°, and always on the side where the lead comes out.

The appliance must be positioned so that the plug is accessible.


INSTALLING YOUR WINE CABINET

103: Installation Diagram

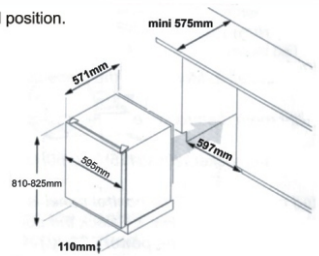
1-Remove the plate by unscrewing the 2 screws located under the 2 hinges (door open) and the 2 screws behind in the angle brackets.



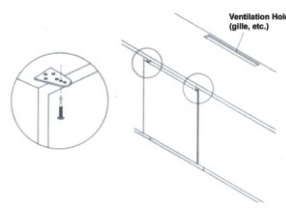
2-Adjust the 4 feet.



3-Slide the cabinet into its final position.



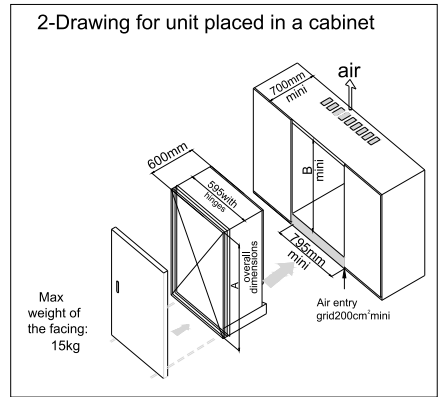
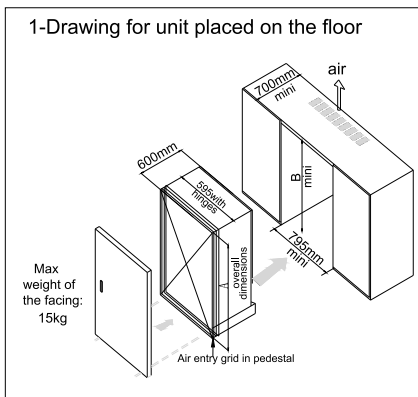
4-Screw the 2 screws through the hinges and into the worktop.



INSTALLING A UNIT WITH A TECHNICAL DOOR

- 1)Level the unit inside the cabinet.
- 2)Open the door of the unit at a 90°angle.

- 3)Fix the facing of the kitchen cabinet on the door of the unit(8 screws included).
- 4)Be sure the gasket seals properly.

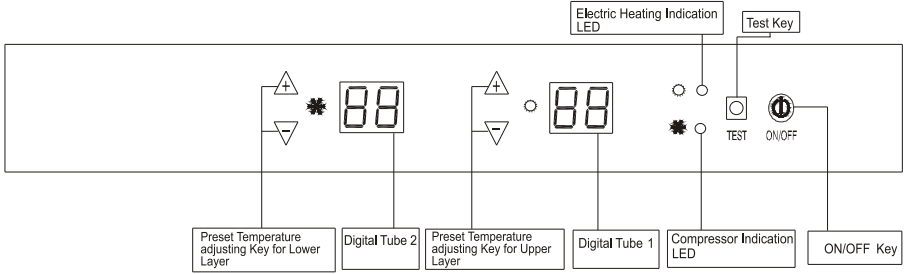


Effective Volume	A mini(mm) feet screwed in	A mini(mm) feet unscrewed	B mini(mm)
103	815	830	915
188	1215	1230	1315
270	1615	1630	1715

Note:

A=Body+Pedestal(90mm)+Feet(20-35mm)
All around the appliance must have 100mm space.

PUTTING INTO SERVICE-TEMPERATURE SETTINGS



Digital Tube 1: Indicate the current temperature or preset temperature of upper layer. When +/- Key is pressed, display on the digital tube flashes, indicating the preset temperature. If no temperature setting operation occurs within five seconds, the system will automatically return to the display of ambient temperature in the storage cabinet, with the accuracy of 1°C(1°F).

The introduction about malfunction code: E2 Faults of upper layer's cabinet temperature sensor. The sensor is short circuit or open circuit. (10 seconds later the system will close and this code will display. The buzzer will tweet every 2 seconds).

E9 is Superheating protection. After compressor operating 4 hours under any condition, When the upper layer sensor detects the cabinet temperature no less than 25°C(77°F), The buzzer will alarm and tweet every 2 seconds. when the detected cabinet temperature is >30°C, "E9" malfunction code will display. The Electrical Heating will close and compressor will go on working. (The buzzer will tweet every 2 seconds).When Upper layer sensor detects the cabinet Temperature reaches 21°C, the system will restart automatically and the temperature will display normally.

Preset Temperature Adjusting Key for Upper Layer: Press this key to adjust the preset temperature of upper layer. Every time it is pressed, the preset temperature of upper layer is increased or decreased by 1°C (1°F). Temperature setting range is 12°C-22°C(54°F-72°F).

Digital Tube 2: Indicate the current temperature or preset temperature of lower layer. When +/- Key is pressed, display on the digital tube flashes, indicating the preset temperature. If no temperature setting operation occurs within five seconds, the system will automatically return to the display of ambient temperature in the storage cabinet, with the accuracy of 1°C(1°F).

The introduction about malfunction code: E3 Faults of lower layer's cabinet temperature sensor. The sensor is short circuit or open circuit. (10 seconds later the system will close and this code will display. The buzzer will tweet every 2 seconds).

E8 is Supercooling protection. When the lower layer sensor detects the cabinet temperature reaches 3°C (37 °F) , the compressor will stop, but electrical heating keeps going on. " E8 " malfunction code will display.(The buzzer will tweet every 1 second).When the detected cabinet temperature is no less than 6°C(43°F) ,the system will restart automatically and the temperature will display normally.

Preset Temperature Adjusting Key for Lower Layer: Press this key to adjust the preset temperature of lower layer. Every time it is pressed, the preset temperature of lower layer is increased or decreased by 1°C(1°F). Temperature setting range is 5°C-12°C(41°F-54°F).

Compressor Indicator LED: This LED comes on while the compressor is operating, and goes out when the compressor stops operation.

Electric Heating Indicator LED: this LED comes on during operation of electric heating device and goes out when electric heating device stops operation.

PUTTING INTO SERVICE-TEMPERATURE SETTINGS

TEST Key: If this Key is pressed in Standby state, the compressor and electric heating device will operate at the same time, and Compressor Indicator LED and Electric Heating Indicator LED will come on at the same time. When this key is released, the system returns to previous standby state. This key is invalid in operational state.

Notes:

1. There should be at least 5-minute interval between compressor stopping and starting again. The compressor should operate for at least five minutes after it is started up and then its operation can be stopped depending on actual conditions.
2. The temperature indicating range of Digital Tube 1 and Digital Tube 2 is 0°C-37°C(32°F-99°F). When the temperature is below 0°C(32°F) in the storage cabinet, indicated temperature is 000, and when the ambient temperature is above 37°C(99°F) in the storage cabinet, the indicated temperature is 37°C(99°F).
3. The difference of temperature displayed on Digital Tube 1 and Digital Tube 2 should be above 5°C(41°F).
4. The temperature setting range of upper layer (12°C -22°C) and lower layer (5°C-12°C) are effective when the ambient temperature is $\leq 32^{\circ}\text{C}$, otherwise it would be difficult to reach the lowest setting temperature of upper layer and lower layer.
5. The difference between display temperature and setting temperature is $\pm 1.5^{\circ}\text{C}$ (3°F), when the cabinet temperature is balanced.

LAYOUT AND STORAGE

Your cabinet was designed to be flexible, to be able to adapt to your requirements.

DIFFERENT TYPES OF LAYOUT



Storage Shelf
Ref: AXL

Capacity: 61 bottles
Max. Weight 85 kg



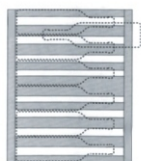
Sliding Shelf
Ref: AXM

Capacity: 8 bottles
Max. Weight 15 kg

HOW TO USE YOUR STORAGE SHELF (AXL)



To store your Claret:



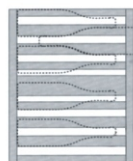
Top View



Side View

Back of Cabinet

To store your Burgundy:



Top View



Side View

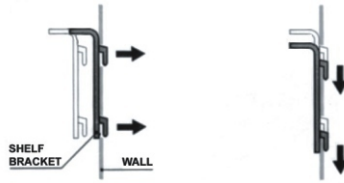
Back of Cabinet

Fitting shelf brackets (read carefully if you intend to modify your cabinet's shelf positions)

STORAGE SHELF

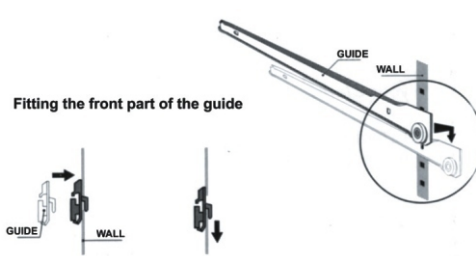
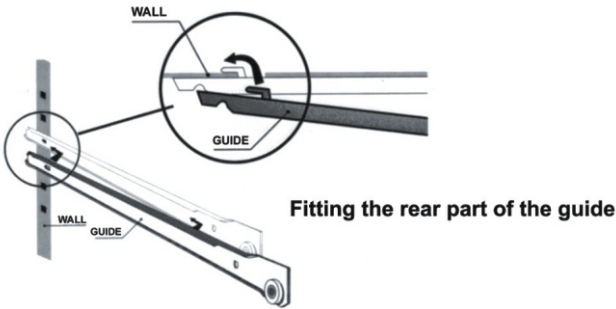
To move a storage shelf, first remove all bottles, then move the shelf brackets and make sure to fit them back into slots as shown below:

LAYOUT AND STORAGE

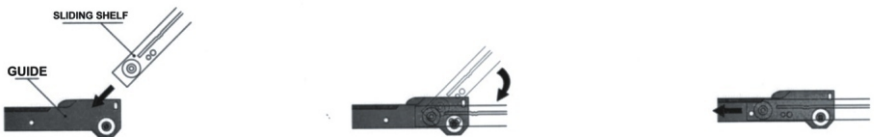


SLIDING SHELF

To move a sliding shelf, first remove all bottles, then remove the sliding shelf by sliding it towards you while lifting the front part, Remove the sliding guides from the walls, while making sure not to mix up the right and left guides, Then refit them as shown below:



Then refit the sliding shelf as shown below:



LAYOUT AND STORAGE

RECOMMENDATIONS FOR LAYOUT AND STORAGE OF YOUR WINE CABINET

Your cabinet was designed to store a maximum number of bottles in total security,We recommend that you observe the tips below to optimize loading.

- Spread your bottles out as evenly as possible over the shelves,so that weight is not concentrated in one point,Also make sure your bottles do not touch the back of the cabinet,or the step at bottom.
- Also make sure that bottles are not all grouped together at the top or bottom of the cabinet.
- Observe the loading instructions provided in section 6,according to the type of storage fixtures with which your cabinet is equipped,and never stack bottles on a sliding shelf.
- Never try to pull out more than one sliding shelf at a time.

PLEASE NOTE

Before modifying your cabinet's original configuration in any way,be sure to ask your dealer for advice.

ROUTINE MAINTENANCE

Your cabinet is easy to operate and has proven its reliability,It will provide long-lasting satisfaction if you follow the simple maintenance and cleaning operations listed below.

- Replace the activated charcoal filter in our cabinet's upper ventilation hole half a year (your dealer keeps this accessory in stock).
- Remove dust from the condenser (metal screen on the back of the cabinet) twice a year.
- Make sure the power cord is unplugged before cleaning the back of your cabinet,or before moving it.
- Clean the inside of your cabinet thoroughly once a year,after unplugging and unloading it (use water and a mild cleaning product,then rinse carefully).

To assure that your wine cabinet provides long-lasting service,you should check it regularly and inform your dealer if you note anything unusual.

NOTE:

Disposal of Insulation materials: Don't dispose by yourself.Please turn to national appointed waste recycle organization.

OPERATING PROBLEMS

START-UP

Compressor does not start,even though the desired temperature is lower than the temperature in the room.

- 1-Check the wall socket by plugging in any type of electrical device, and make sure that the on/off button is pressed.
- 2-Press the TEST button and check that the two red and green indicator lights light up. (In the standby status).
- 3-If the compressor still does not start after steps 2 and 3, contact your dealer.

Compressor does not stop.

- 1-Place your hand on the condenser (metal screen at the back of your cabinet) to check its temperature. Contact your dealer if cold.
- 2-If the condenser is hot, set the cold temperature as high as possible (as far as it will go clockwise) and make sure that the cold circuit operation indicator goes off. If the compressor does not stop, unplug the cabinet and contact your dealer.

DURING OPERATION

A Digital Tube display indicates a temperature below the temperature you set.

- 1-Check the temperature set-points.
- 2-Check that the red hot circuit operation indicator light is on.
- 3-Press the TEST button, and check that the two red and green indicator lights on the right side of the panel are on. If either step 2 or 3 is incorrect, contact your dealer.

Digital Tube display indicates a temperature above the temperature you set.

- 1-Check the temperature set-points.
- 2-Check that the green cold circuit operation indicator light is on.
- 3-Press the TEST button, and check that the two red and green indicator lights on the right side of the panel are on. If either step 2 or 3 is incorrect, contact your dealer.

Contact your dealer, if after adjusting set-points and testing hot and cold circuit indicator lights either of the two problems above are not corrected.

Note: The refrigeration unit must only be serviced by a refrigeration technician, who must check the circuit for leaks before putting back into service. Any servicing of the electrical circuit must only be performed by an electrician.

NB: Whatever the case, if your cabinet does not seem to be operating normally, unplug it and call your dealer.