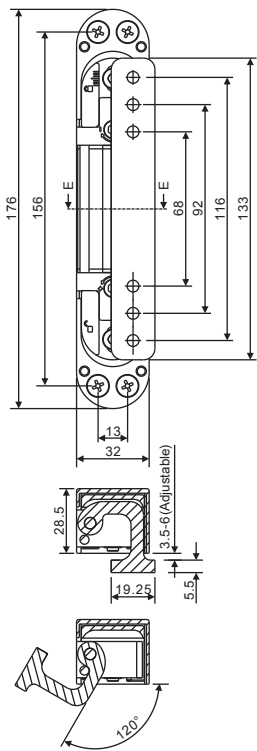
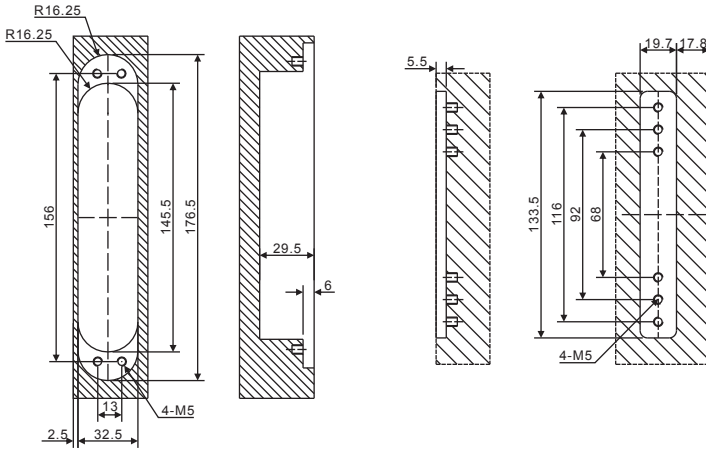


Fitting instructions

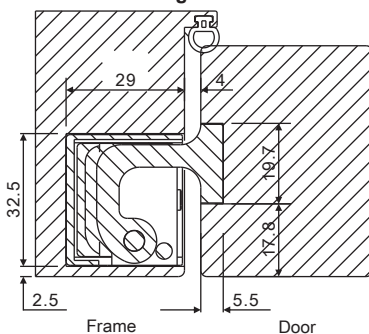
927.91.951 927.91.952
927.91.955 927.91.956

Concealed hinge system
 for unrebated interior doors

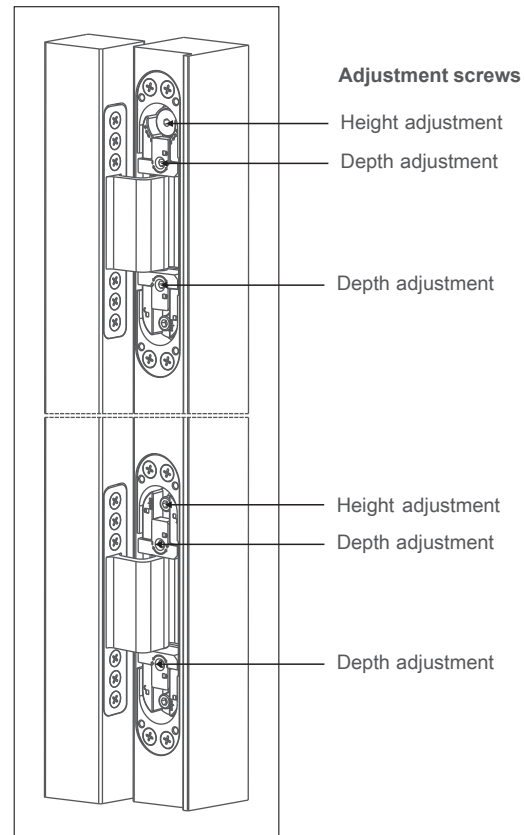


Installation

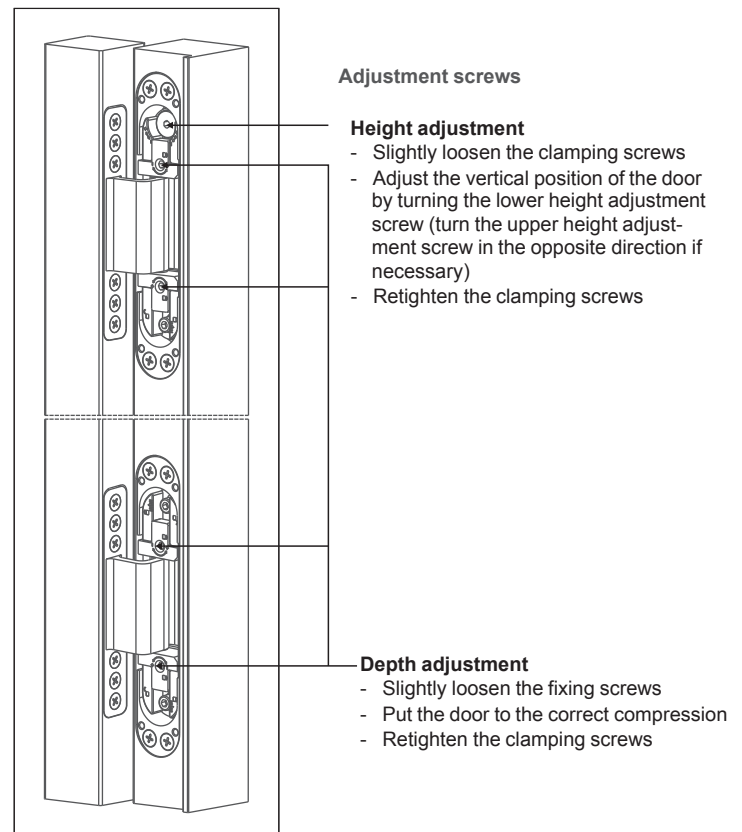
Wooden casing frame



Screw the hinge using the enclosed M 5 screws.



Minimum door thickness=40mm



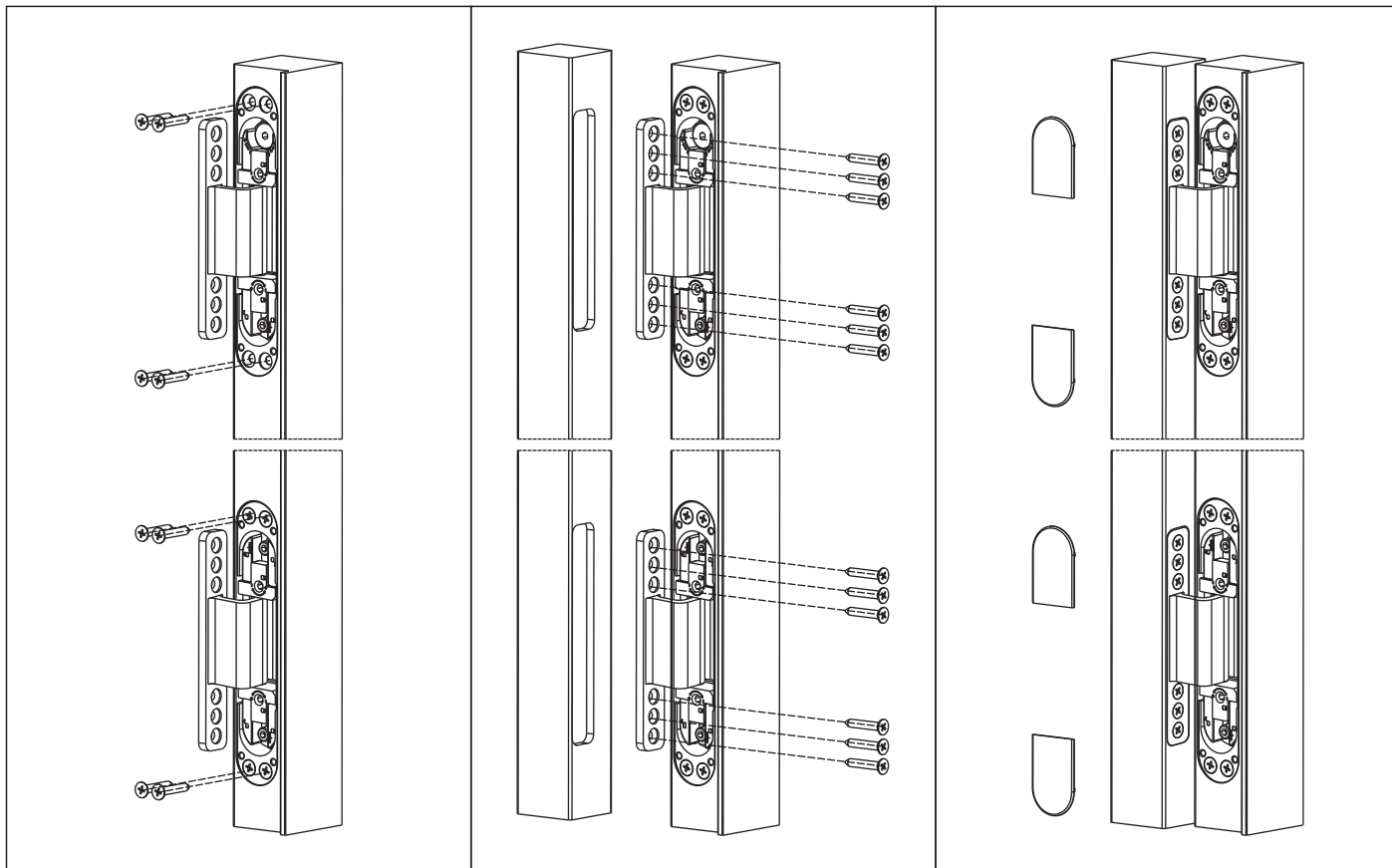
Adjustment screws

Height adjustment

- Slightly loosen the clamping screws
- Adjust the vertical position of the door by turning the lower height adjustment screw (turn the upper height adjustment screw in the opposite direction if necessary)
- Retighten the clamping screws

Depth adjustment

- Slightly loosen the fixing screws
- Put the door to the correct compression
- Retighten the clamping screws



1

Conduct the routing, cutter $\varnothing 24$ mm, collar ring $\varnothing 32$ mm, screw hinge door part (marked as door) using $\varnothing 5$ mm wood screws.

2

Fasten hinge frame part depending on the frame type.

If required, please loose slightly the upper clamping screws for the height adjustment.

Block frame: Screw with $\varnothing 5$ mm wood screws

3

Install cover plates using the enclosed tapping screws onto frame and door part.

